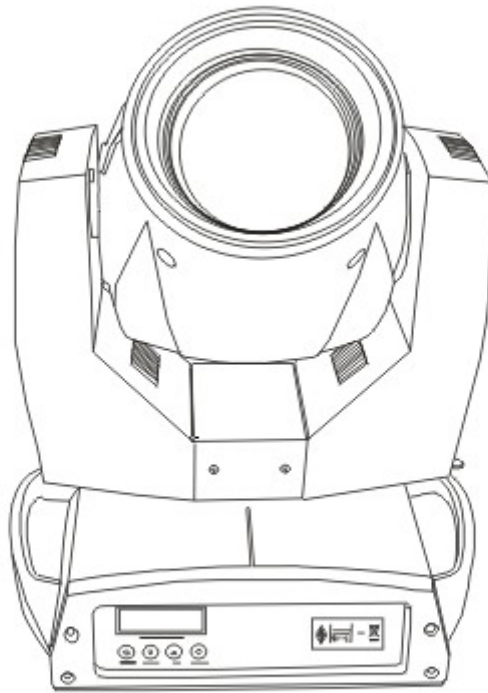


MEGA BEAM200 MOVING HEAD LIGHT

MJ-1016



User manual

Thank you for choosing our beam moving head light. For the sake of your safety, Please read and follow these instructions carefully and keep this manual in a safe place for future reference.

Catalogue

Chapter	Page
Safe Usage Of The Product -----	3
Install The Equipment -----	4
Fitting The Lamp-----	4
Power Code Connection -----	5
DMX Connection -----	5
DMX Terminator -----	6
Function Set -----	6
Operation Menu -----	7
Maintenance -----	9
Keeping The Product Clean -----	9
Trouble Shooting-----	9
Equipment and Appendix-----	10
Channel List-----	10
Technical Parameters-----	12

☆Important notice:

- In this instruction for use contains about the installment and the use aspect important information of the beam moving head. When installing and using, you need to look this usage instruction strictly.
- Before open the beam moving head and if you want to do the repair work, please make sure the power source is at the separation condition.
- Every unit is tested completely and packed properly by the manufacturer. Please make sure the packing and the unit are in good condition before installation and use. Should there be any damage caused by transportation, consult your dealer and do not use the unit. Any damage caused by improper use will not be assumed by the manufacturer or dealer.

Attention: Unceasingly carries on the product improvement about our company the policy, in this instruction booklet carries the data will have the possibility to be able to change in the future, when no longer separate notice change matters concerned. Our company retains when the product improvement changes the related specification the authority. This instruction booklet publisher cannot be responsible regarding this instruction booklet in information accuracy, also cannot the related consequence which causes regarding these information be responsible.

SAFE USAGE OF THE PRODUCT

When unpacking and before disposing of the carton, check there is no transportation damage before using the product. Should there be any damage caused by transportation, consult your dealer and do not use the apparatus.

The product is for indoor use only, IP20. Use only in dry locations. Keep this device away from rain and moisture, excessive heat, humidity and dust. Do not allow contact with water or any other liquids.

The product is not designed or intended to be mounted directly on to inflammable surfaces

The product is only intended for installation, operation and maintenance by professional person.

The product must be installed in a location with adequate ventilation, at least 50cm from adjacent wall surfaces. Be sure that no ventilation slots are blocked.

Do not project the beam onto inflammable surfaces, minimum distance is 12m.

Avoid direct exposure to the light from the lamp. The light is harmful to the eye.

Do not attempt to dismantle or modify the projector in any way.

Electrical connection must only be carried out by qualified personnel.

Before installation, ensure that the voltage and frequency of power supply match the power requirements of the projector.

It is essential that each projector is correctly earthed and that electrical installation conforms to all relevant standards.

Do not connect this device to any other types of dimmer apparatus.

Make sure that the power-cord is never crimped or damaged by sharp edges. Never let the power-cord come into contact with other cables. Only handle the power-cord by the plug. Never pull out the plug by tugging the power-cord.

Keep the light clean. Do not touch the light glass with bare hands.

The product should always be installed with a secondary safety fixing. On the projector base brack, there is a hole for the safety cord provided. It should be attached as shown in “installing the projector” section.

The lamp used in this projector is a discharge lamp. After switching off don't attempt to restart the projector until lamp has cooled, this will require approx 15 minutes. Switching the lamp on and off at short intervals will reduce the life of both the lamp and the projector. But occasional breaks will prolong the life of the lamp and projector.

Never run the projector without a lamp.

The light shall be changed if it has become damaged or thermally deformed or reached its life limit.

Shields and lens shall be changed if they have become visibly damaged to such an extent that their effectiveness is impaired, for example by cracks or deep scratches.

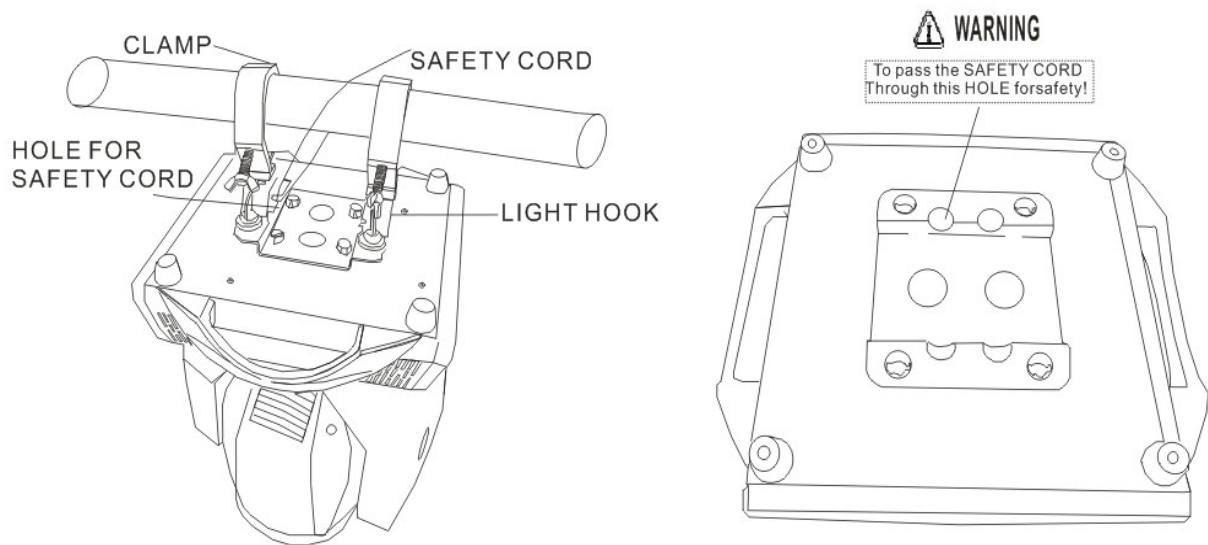
Exterior surface temperatures of the luminaire after 5 minutes operation is 70°. When steady state is achieved 140°.

There is no user serviceable parts inside the projector, do not open the housing and never operate the product with the covers removed.

If you have any questions, don't hesitate to consult your dealer or manufacturer.

★Always disconnect from the mains, when the device is not in use or before cleaning it or before attempting any maintenance work !

Install The Equipment:



Use 2pcs clamp and 1safety cord(need to purchase).Use clamp fix with light hook which in the packing box with light, then use screw install to the bottom of lamp. Hang the fixture on the structure and fasten the screws attached to each clamp. Make sure the light is installed reliable, and confirm the light which you fixed is strong enough for hanging the light. Base on safety reason, please according to the above picture using safety wire cross the light to make it strong enough again.

Warning!

1. Unlock the PAN and TILT before the 1st application of the light for safety.
2. Hook and clamp only use for hanging the light. Do not use clamp as a tool to move fixtures.
3. Base on safety reason, please use the safety cord which can afford the weight ten times of lamp through Insurance hole for auxiliary hanging.
4. Don't use the handle of the moving head light to fixed or lift!

Fitting The Lamp:

- .Loosen 4 fast-fit screws and remove the back cover, when fitting/replacing the lamp.
- .Do not touch the bulb of the new lamp with bare hand so as not to influence the beam output.
- .Do not harm the sticking out point of the lamp during its installation.
- .Fit new lamp and close the back cover by fastening 4 fast-fit screws when finished lamp installation.
- .Lamp work will reach a very high temperature, Vapor discharge lamp can not continue to supply this physical characteristics, therefore, the power completely cool for 10 minutes before on the operation. Failure to do so will lead to a high-pressure discharge and short circuit burned out the computer's control panel components.

Notes: Unplug the light from power before lamp installation or replacement and wait for it to cool.

Power Code Connection:

Connect the power cord as follows:

L (live) =brown

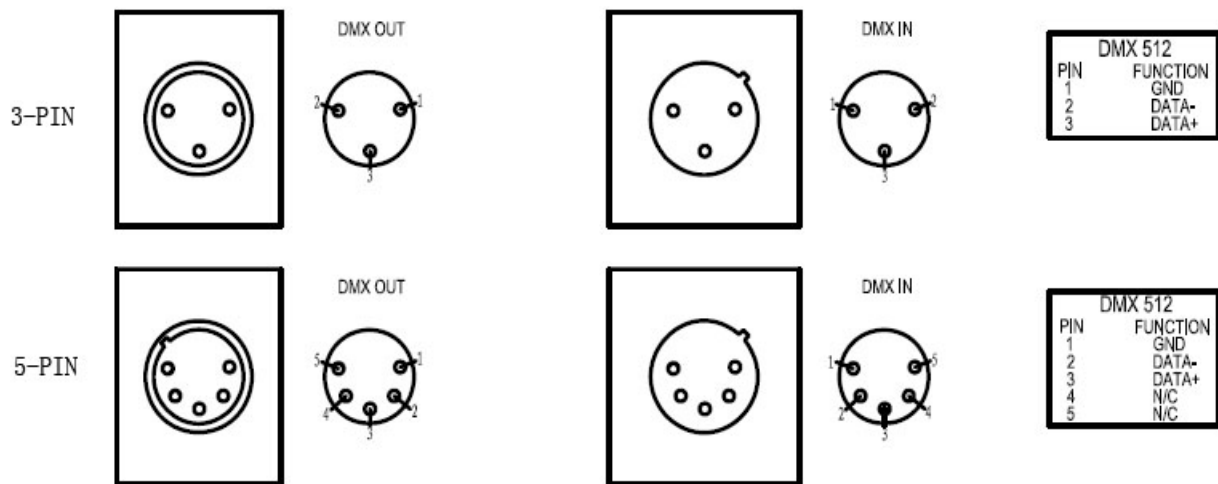
E (earth) =yellow/green

N (neutral) =blue

Use the plug provided to connect the mains power to the projector paying attention to the voltage and frequency marked on the panel of the projector. It is recommended that each projector be supplied separately so that they may be individually switched on and off.

★It is essential that each projector is correctly earthed and the electrical installation conforms to all relevant standards.

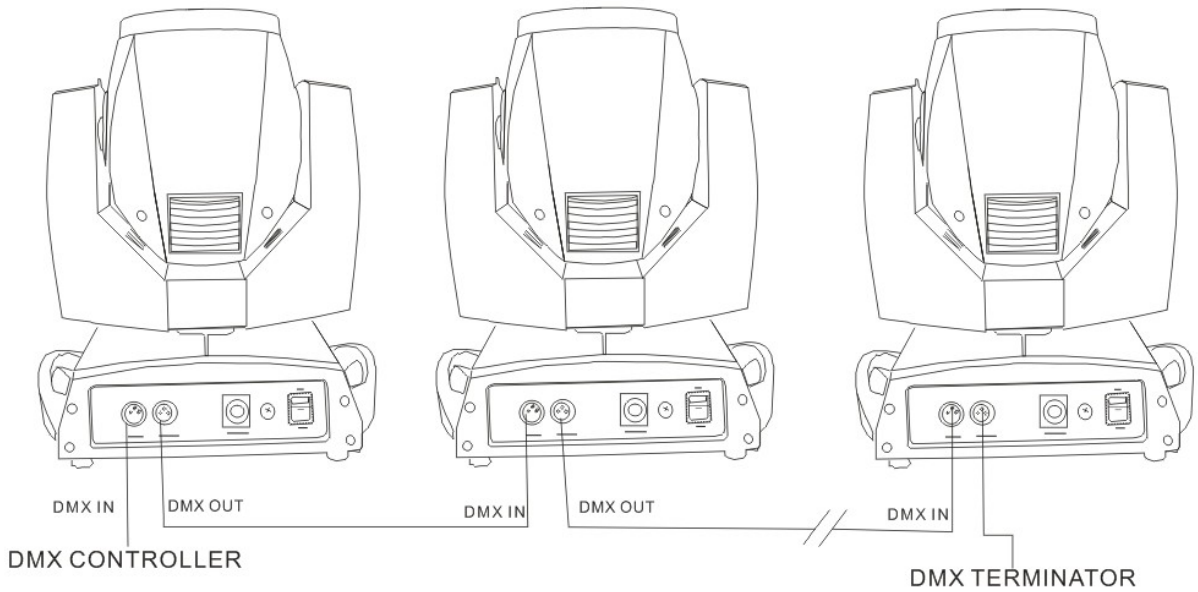
DMX Connection:



Connection between the controller and a projector and between one projector and another must be made with a 2 core-screened cable, with each core having at least a 0.5mm diameter. Connection to and from the projector is via cannon 3 pin (which are included with the projector) XLR plugs and sockets. The XLR's are connected as shown in the figure above.

Note: Care should be taken to ensure that none of the pins touch the metallic body of the plug or each other. The body of the plug is not connected in any way. The XLED 590 accepts digital control signals in protocol DMX512 (1990).

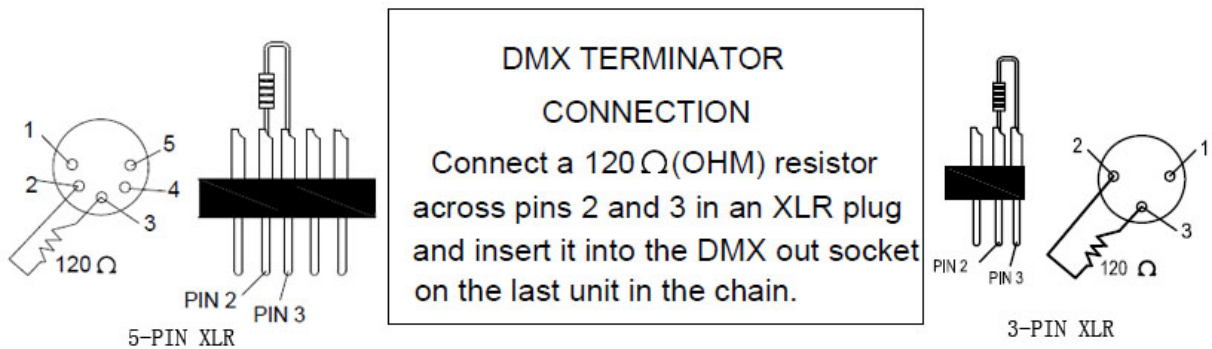
Connect the controller's output to the first fixture's input, and connect the first fixture's output to the second fixture's input and connect the rest fixtures in the same way. Eventually connect the last fixture's output to a DMX terminator as shown in the figure below.



DMX Terminator:

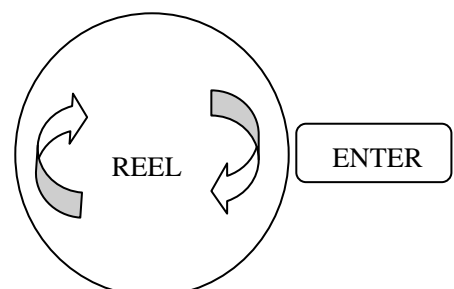
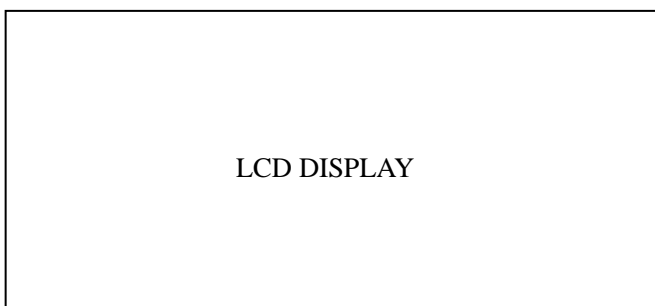
In the Controller mode, at the last fixture in the chain, the DMX output has to be connected with a DMX terminator. This prevents electrical noise from disturbing and corrupting the DMX control signals.

The DMX terminator is simply an XLR connector with a 120Ω (ohm) resistor connected across pins 2 and 3, which is then plugged into the output socket on the last projector in the chain. The connections are illustrated below.



Function Set:

1. Menu Operation



Reel Operation

Use reel can set the address code and function code easily.

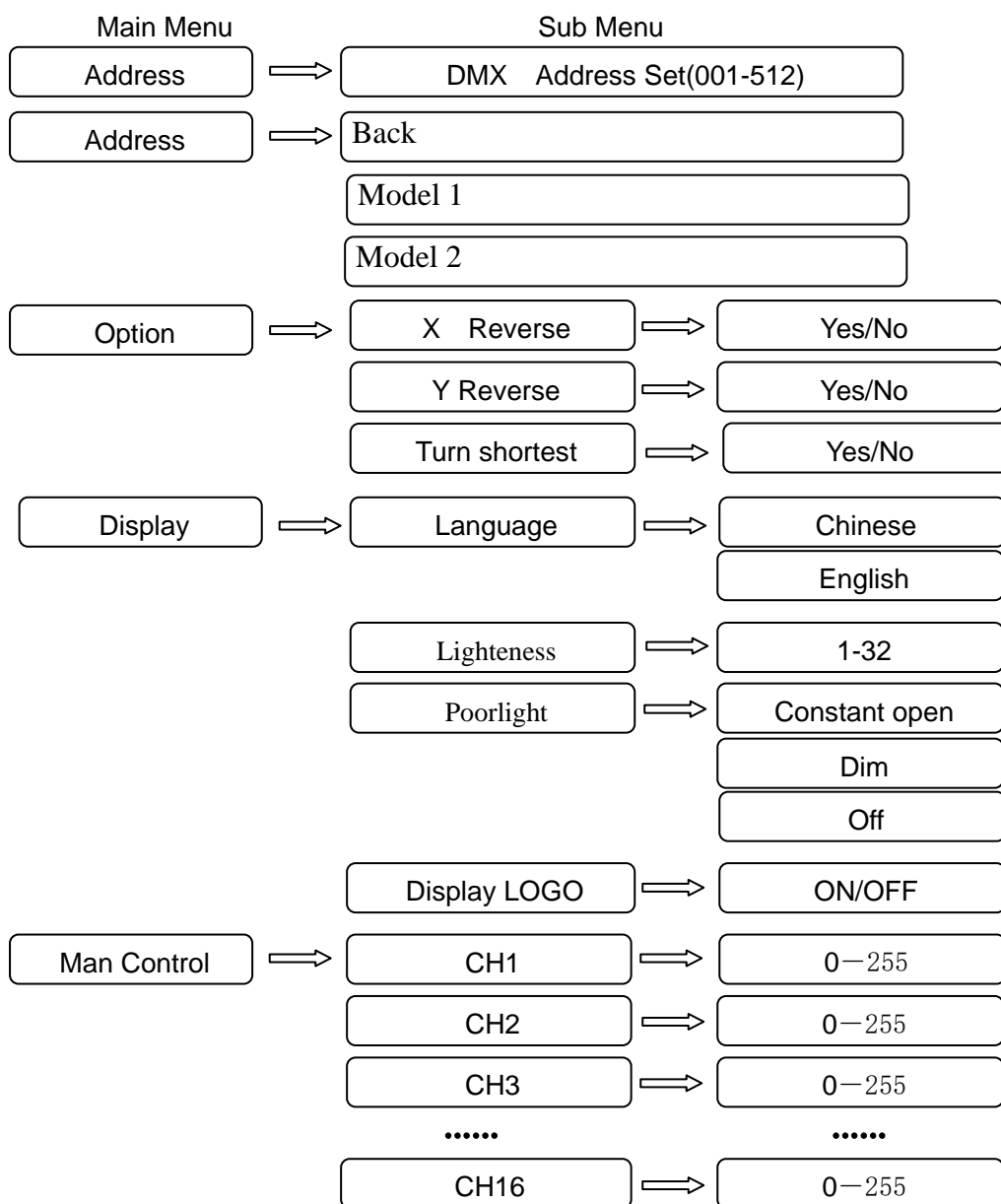
Check or modify lighting function settings, rotation the **REEL**. LCD display panel will display main menus. Function operation menu all have corresponding submenu . Each menu all represent the specific functions of lamps, specific see below "operation menu" section.

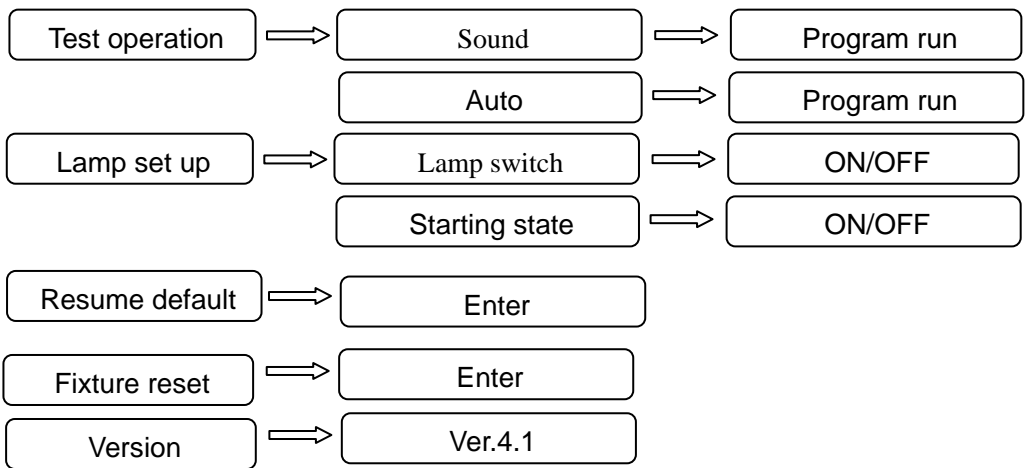
Set or browse function setting of lamp, Rotataion **REEL** key.

Press **ENTER** key to save your changes or to enter submenu

Operation Menu:

➤ Menu Structure chart





- | | |
|--|---|
| 1) Address settings | DMX address settings:001-255 |
| 2) Control mode | |
| 3) Option mode | |
| ◆ X-axis inversion | Off --X-axis forward work(default setting)
ON--X-axis inverse work |
| ◆ Y-axis inversion | Off --Y-axis forward work(default setting)
On Up-Y-axis inverse work |
| ◆ Opt coupler check | Off-- On X/Y axis opt coupler check |
| 4) Display mode | Display parameters settings |
| ◆ Language | English/Chinese |
| ◆ Screen lightness | 1-32 |
| ◆ Screen poorlight | Constant open / Dim / Off |
| ◆ LOGO display | LOGO display On/Off |
| ◆ Screen rotate | Off--normal display--(default setting)
On--180° rotating display |
| 5) Test mode | Light work settings |
| ◆ Auto operation | Auto operation |
| ◆ Sound mode | Sound mode |
| 6) Man control mode | Light work settings |
| ◆ Press “Menu” , and choose Man control by “UP&DOWN”, it will be show CH1 to CH16, to confirm by press “ENTER” button. | |
| 7) Lamp settings | Lamp work settings |
| ◆ Lamp switch | On/Off(Lamp switch need On) |
| ◆ Lamp starting state | On/Off((Lamp starting state need On) |
| 8) Factory settings | Initialized light for parameters |
| 9) Rest settings | Motor rest |
| 10) Version | Ver4.1 |

Maintenance:

To prolong the life of the projector, some maintenance work has to be done to ensure the optical system in good condition. If the projector does not function, check the fuses on the power socket of the projector, they should only be replaced by fuses of the same specification. Should these be damaged, call a qualified technician before replacement. The projector has thermal protection device that will switch off the projector in case of overheating. Should either of these operate, check that the fans are not blocked, and if they are dirty, clean them before switching on the projector again. Check that the fans are operational, if not, call a qualified technician.

☆Any maintenance work should only be carried out by qualified technicians.

Keeping The Product Clean:

To ensure the reliability of the projector, it should be kept clean. It is recommended that the fans should be cleaned every 15 days. The lens and dichroic colour filters should also be regularly cleaned to maintain an optimum light output.

Do NOT use any type of solvent on dichroic colour filters.

Cleaning frequency depends on the environment in which the fixture operates: damp, smoke or particularly dirty surroundings can cause greater accumulation of dirt on the unit's optics. A soft cloth and typical glass cleaning products should be used for cleaning. It is recommended to clean the external optics at least once every 15 days and clean the internal optics at least once every 60 / 90 days.

☆Do not use any organic solvent, e.g. alcohol, to clean housing of the apparatus.

Trouble Shooting:

Problem	Answer
The moving head light doesn't switch on.	Check the fuse the power socket Replace the lamp
Although shines, but the moving head lamp doesn't accept the instruction of the controller.	Check the digital start address and also check the connection situation of the communication control line
The moving head lamp only can work intermittently.	Inspect the power supply and voltage is whether normal. Make sure the fan is working well or fans and their filters not blocked
Defective projection	Make sure the lamp is within its life limit Remove dust or grease from the lenses.
The beam appears dim	heck the optics is clean or the lens in good condition(not cracked) Replace with a new lamp of the specified type and rating.

☆Other maintain work should by the specialist which has the experience to carry on.

Equipment and Appendix:

☆ Beam 200W Moving Head Light	1pcs
☆ Power Cable	1pcs
☆ XLR connector	1unit
☆ Light Hook	2pcs
☆ The Product of Instruction	1pcs

Channel List: (16CH MODE)

Channel	Value	Function
CH1 (Color)	0~3	White
	4~11	Color1
	12~19	Color 2
	20~27	Color 3
	28~35	Color 4
	36~43	Color 5
	44~51	Color 6
	52~59	Color 7
	60~67	Color 8
	68~75	Color 9
	76~83	Color 10
	84~91	Color 11
	92~99	Color 12
	100~107	Color 13
	108~115	Color 14
116~191	Rainbow effect with veering(slow~Fast)	
192~255	Rainbow effect with inversion (slow~Fast)	
CH2 (Strobe)	0	Off
	1~50	Turn on
	51~240	Strobe Speed (slow~Fast)
	241~255	Turn on
CH3 (Dimming)	0~255	OFF~ON

CH4 (Gobo)	0~6	White
	7~13	Gobo 1
	14~20	Gobo 2
	21~27	Gobo 3
	28~34	Gobo 4
	35~41	Gobo 5
	42~48	Gobo 6
	49~55	Gobo 7
	56~62	Gobo 8
	63~69	Gobo 9
	70~76	Gobo 10
	77~83	Gobo 11
	84~90	Gobo 12
	91~97	Gobo 13
	98~104	Gobo 14
	105~111	Gobo 15
	112~118	Gobo 16
	119~127	Gobo 17
	128~191	Gobo veering (slow~Fast)
	192~255	Gobo effect with inversion (slow~Fast)
CH5 (Prism)	0~31	No function
	32~255	Prism
CH6 (Prism Rotation)	0~127	No function
	128~191	reversion (Fast~slow)
	192~255	veering (slow~Fast)
CH7 (Gobo shake)	0	No function
	1~191	Gobo shake(Slow~Fast)
	192~255	No function
CH8	0~255	Frost
CH9	0~255	Focus
CH10	0~255	Pan
CH11	0~255	Pan fine
CH12	0~255	Tilt
CH13	0~255	Tilt fine
CH14	0~255	Pan/ Tilt speed (Fast~slow)
CH15	0~254	No function
	255	Reset
CH16 (The lamp control)	0~100	No function
	100~105	Delay closing
	106~199	No function
	200~205	Delay open
	206~255	No function

Technical Parameters:

Voltage : 100~240V/50-60Hz

Power consumption:350W@(220V)

Bulb: HAOYE HYSL5R200 200W projection lamp

Lamp : HAOYE HYSL7R200W

Color temperature : 8500K

Color: 14 color + blank color wheel

Gobo: 17 fixed gobo + blank gobo

Prism : 1 rotation 16-face prism, Bilateral rotation .frost function

Dimmer : 0-100% linear adjustment ,Strobe(0.5-9 times/ second)

Beam angle : parallel beam angel 0 – 4°

Channel : 16CH

Control mode : Standard DMX512, Automatic,Sound and Master/slave mode

Pan: X axis 540°automatically accurate positioning

Tilt:Y axis 270°automatically accurate positioning

Control Panel: LCD touch screen display panel with buttons

Protection grade:IP20

Net weight:16KG

Gross Weight: 18.5 kg

Package Size: 450 x 430x 530cm

Light Size(see it below)

